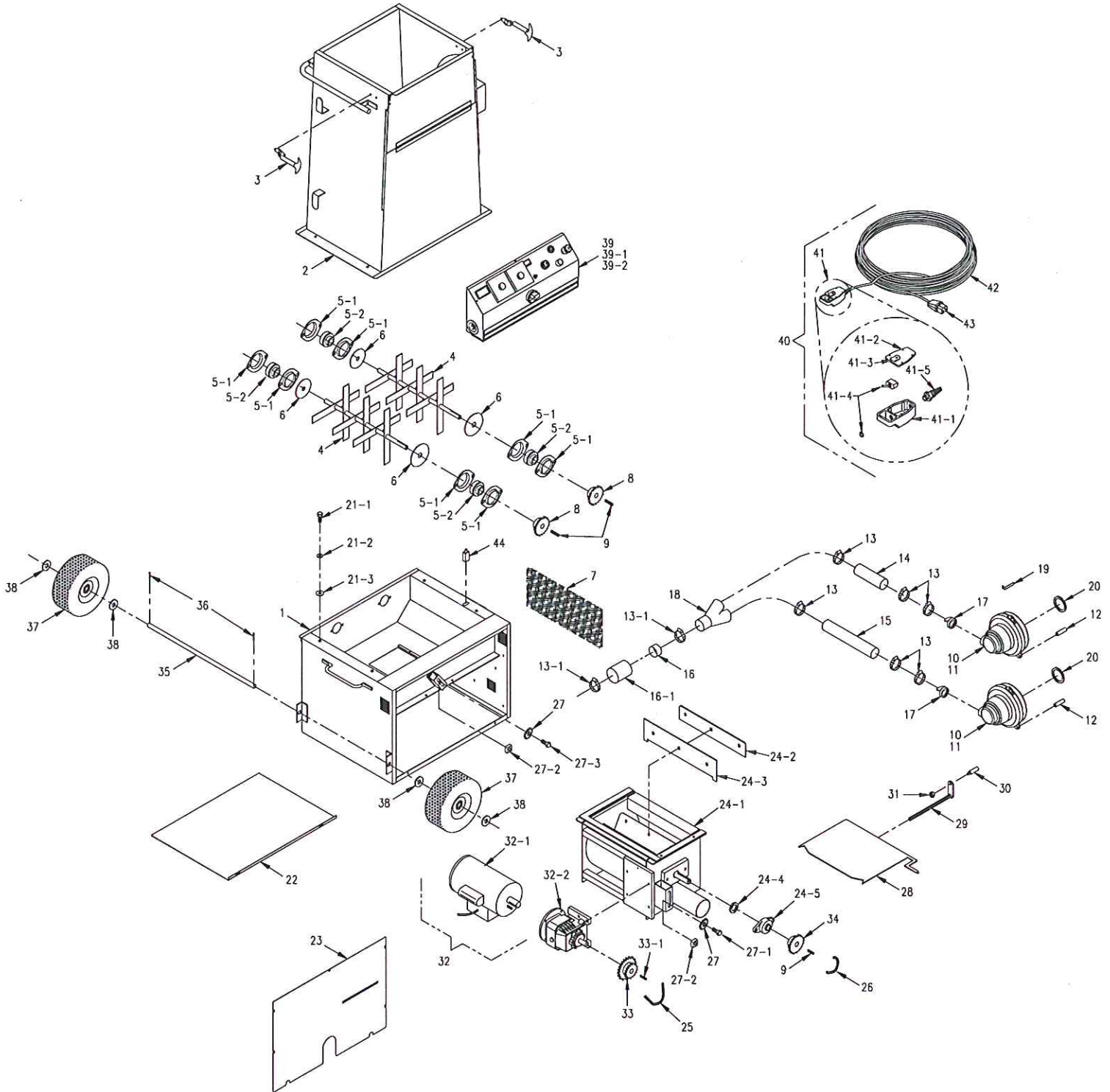


EXPLODED PARTS

#575 Machine

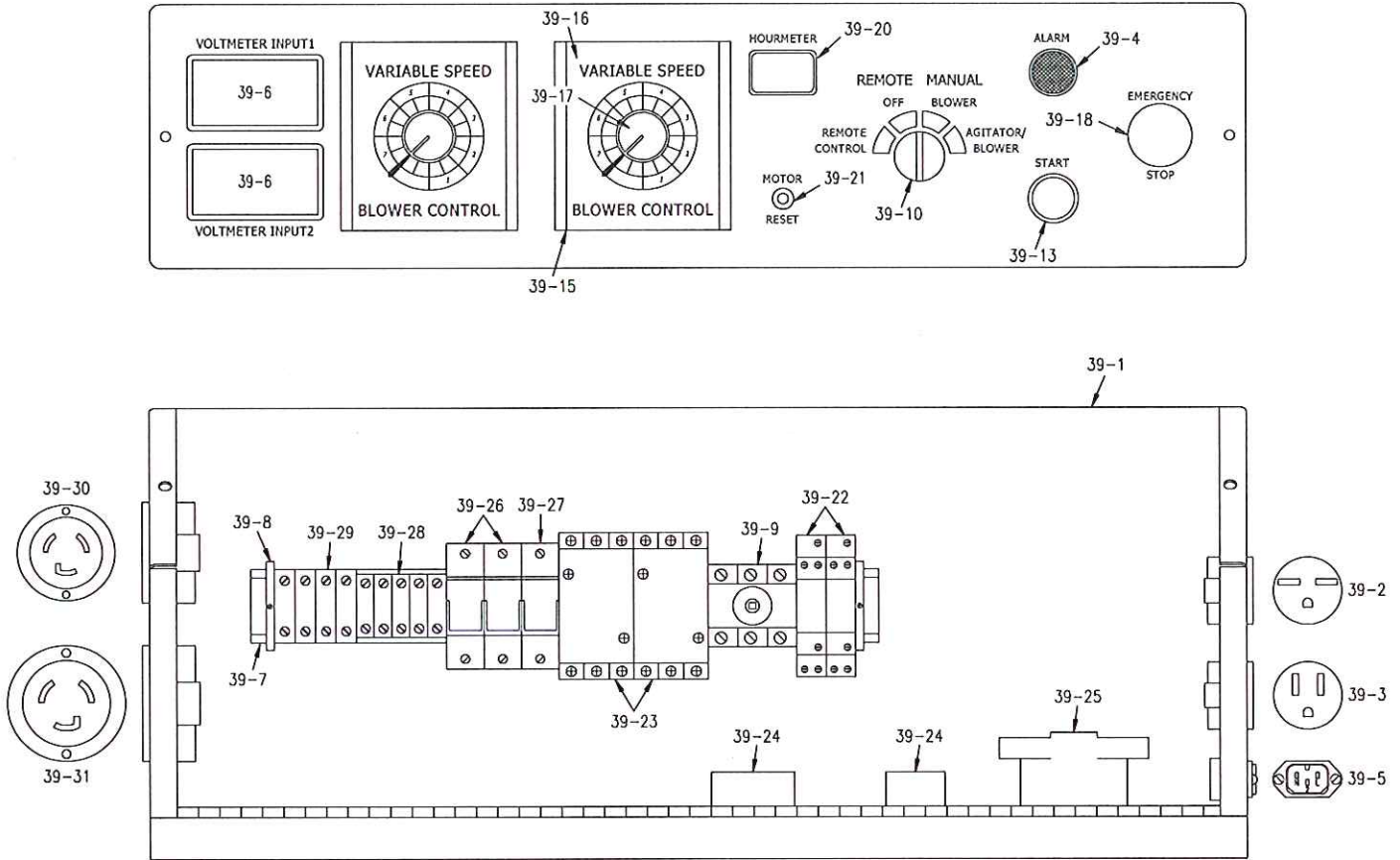


#575 PARTS LIST

Item #	Part #	Description
1	575-5-R3	Base
2	575-9	Hopper
3	23-99	Latch, Pull (2)
4	575-7	Agitator (2)
5-1	565	Housing, Flange, 2-Bolt 1" Stamped (8)
5-2	563	Bearing, 1" Bore (4) Insert Only
6	564	Seal, Felt, 1" (4)
7	57562	Filter, Blower 16" x 7
8	S-40B15-B	#40 Sprocket, 15T x 1" (2) (U.S)
8	S-40BS18T1	#40 Sprocket, 18T x 1" (2) (Overseas)
9	561Z	Key, 1/4" x 1/4" x 1" (3)
10	408-G	Blower Motor, 14 Amp, 2-Stage (2)
11	408-J	Blower Motor, 7 Amp, (2) Overseas
12	409-F	Spacer, 2 3/16" Blower (6) (only 2 shown)
13	337	Clamp, 2" Hose (6)
13-1	339	Clamp, 2 1/2" Hose (2)
14	407	2" Hose, 12" long
15	406	2" Hose, 20" long
16	42572	2" Hose, 1" long
16-1	25-16	2 1/2" Hose, 3" long
17	CV101	Check Valve (2)
18	568	Check Valve Y-Tube
19	575-20	Support, Hose
20	113-A	Gasket, 2", STD 3/16" (2)
21-1	FSB037	SB 5/16-18 x 7/8" HMS (4)
21-2	FW008	Lock Washer, 5/16" (4)
21-3	FW007	Flat Washer, 5/16" (4)
22	575-10	Guard, Bottom
23	575-15-P	Guard, Chain
24-1	575-1-R2	Airlock Chamber with Rotor
24-2	575-3	Plate, Top Airlock (6)
24-3	575-4	Seal, Airlock (6)
24-4	517-7	Seal, Felt, 1" (2)
24-5	8036-2	Bearing, 2 Bolt , 1" (2)
25	109019-14	Chain, #40 x 58". N.P.
26	42537	Chain, #40 x 27" (U.S.)
26	40NP-28	Chain. #40 x 28" (Overseas)
----	199	Master Link, #40 (2) (not shown)
----	189	Half Link, #40 (1) (not shown)
27	432	Sprocket, Idler, #40 17T x 5/8" (2)
27-1	FSB120	SB 5/8" x 3/4" Shoulder Bolt
27-2	40052	Nut, 1" x 1/2" (1/2-13), Plated (2)
27-3	FSB092	SB 5/8" x 1" Shoulder Bolt

28	575-6-R1	Slidegate
29	475-8	Crankrod
30	4507	Handle f/Crankrod
31	FN015	Lock Nut, 3/8"-16
32	575-21	Motor & Cord Assy, 1HP, 120V 60Hz (U.S.)
32	575-22	Motor & Cord Assy, 1HP, 240V 60Hz (U.S.)
32	594-ASSY	Motor & Cord Assy, 1HP, 230V 50Hz (Overseas)
32-1	547	Motor, 1HP, 120V & 240V 60Hz
32-1	594	Motor, 1HP, 230V 50Hz
32-2	575GB	Gearbox, In-Line
33	475-20	#40, Sprocket, 15T x 24T x 1" (U.S.)
33	514-6	#40, Sprocket, 18T x 28T x 1" (Overseas)
33-1	562Z	Key, 1/4" x 1/4" x 1 1/4"
34	S-40B15-B	#40, Sprocket, 15T x 1" w/hub
35	575-11	Axle, 29 3/4" Long
36	57565	Pin, Cotter, 1/8" x 1 1/2" (2)
37	W-12	Wheel, Flat Free, 3/4" (2)
38	FW030	W 3/4 Flat Washer-SAE (4)
39	ELU12-0575DL	Electrical Upgrade (120V, 60 Hz.) (double input, double 14 A blower)
39-1	ELU12-0575SH	Electrical Upgrade (240V, 60 Hz.) (single input, double 14 A blower)
39-2	ELU13-0575DHCE	Electrical Upgrade (230V, 50 Hz.) (double input, double 14 A blower)
40	RC395-D	RC Cord Assy, 150', ELU, Style D
41	RC395-DPDT	RC Service Kit (DPDT)
41-1	RC395-1	Switch Housing
41-2	RC395-2	Switch Housing Cover with belt clip
41-3	1536-7	Belt Clip
41-4	109066-9	Switch, Toggle, DPDT
41-5	RC395-3	Strain Relief
41-6	RC395-4	8-16 Plastic Screws (4) (Not Shown)
42	18-3 SJ	Wire, 18-3 SJ (150')
43	543-M-8	Plug, #509-1215
44	LS100	Flush Mount, Limit Switch

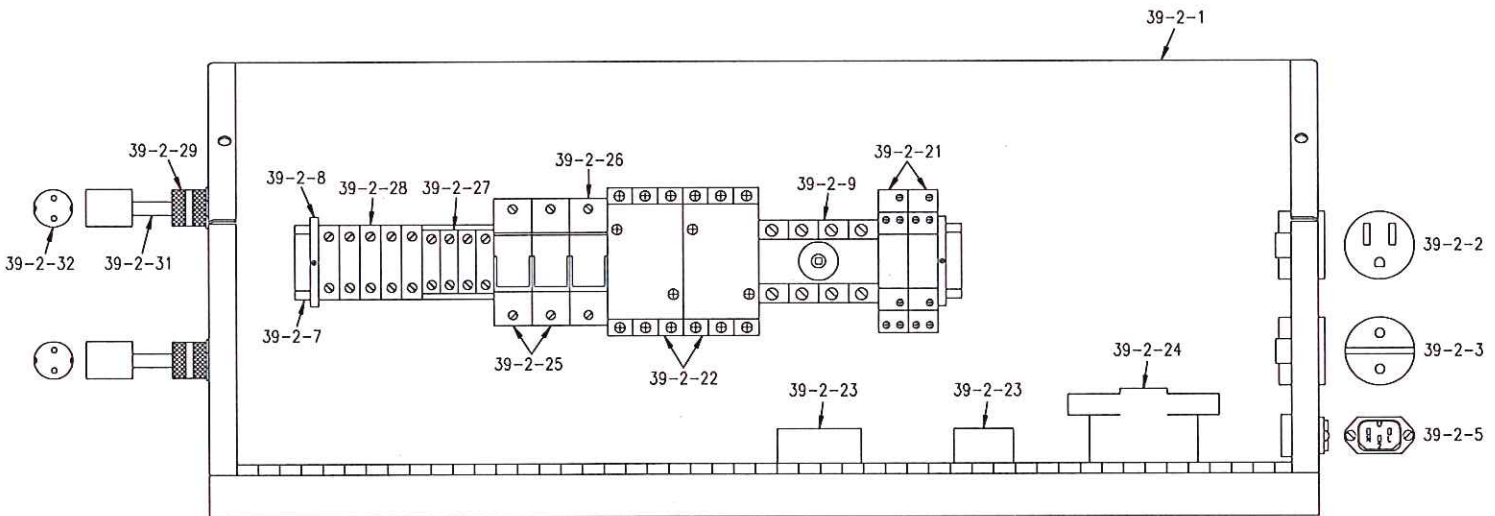
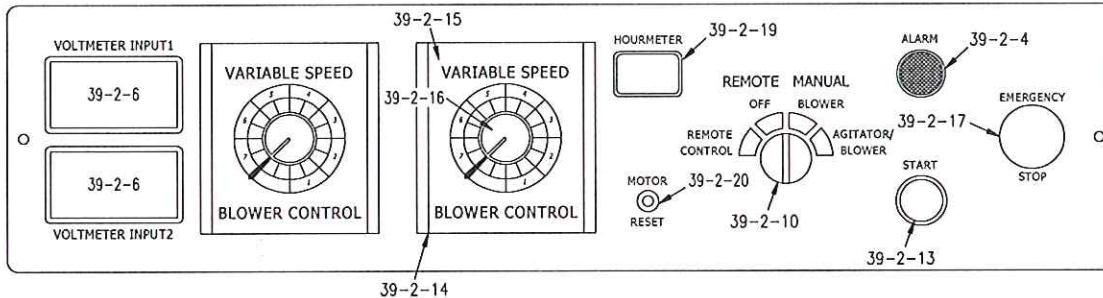
ELECTRICAL PARTS LIST
120 V.A.C. 60 Hz. D.I



Electrical Exploded Parts List

Item#	Part#	Description	Item#	Part#	Description
39-1	575-13-R1	Box, Electrical	39-16	420-1	Cover, Blower Control (2)
39-2	132-B	Receptacle, NEMA#6-15R	39-17	420-2	Knob, Blower Control (2)
39-3	1544	Receptacle, NEMA#5-15R	39-18	543-M-46	Switch, Kill, Red
39-4	543-M-38	Pre-Alarm System	39-19	8075-2	Contact Block 22mm Green (Kill Switch not shown)
39-5	543-M-2	Receptacle, RC, Plug, #509-1050	39-20	543-M-77	Hour Meter
39-6	543-M-83	Voltmeter, Digital 120V (2)	39-21	433-E	Manual Reset, 15 Amp
39-7	ELU12-A	Dinrail, 1 3/8", 16"L	39-22	RELAY-10	Timer / Relay DPDT 12-240VAC 15A (2)
39-8	151080-49	Clamp, f/ 1 3/8" Din Rail (2)	39-23	ELU11-5	GE Contactor / Relay 25 Amp (2)
39-9	543-M-88	Switch, Disconnect Assy 3P	39-24	ELU10-10	Relay, Contactor/Relay, 120V Control (2)
39-10	543-M-22	Switch, 4-Position Selector	39-25	1530-D	Transformer, 4 Amp
39-11	543-M-15	Contact Block, Selector Switch (white) #KA-1 (not shown)	39-26	BRKR-16	Breaker, 16 Amp (2)
39-12	543-M-16	Contact Block, Selector Switch (red) #KA-3 (3) (not shown)	39-27	BRKR-2	Breaker, 2 Amp
39-13	543-M-14	Pushbutton On, Green	39-28	151080-61	Terminal Block, Small (5)
39-14	8075-2	Contact Block 22mm Green (Pushbutton not shown)	39-29	151080-62	Terminal Block, Large (4)
39-15	419-A	Blower Control (120V, 60Hz.) (2)	39-30	543-M-32	15 Amp Flange 120V TL
			39-31	543-M-67	30 Amp Flange 120V TL

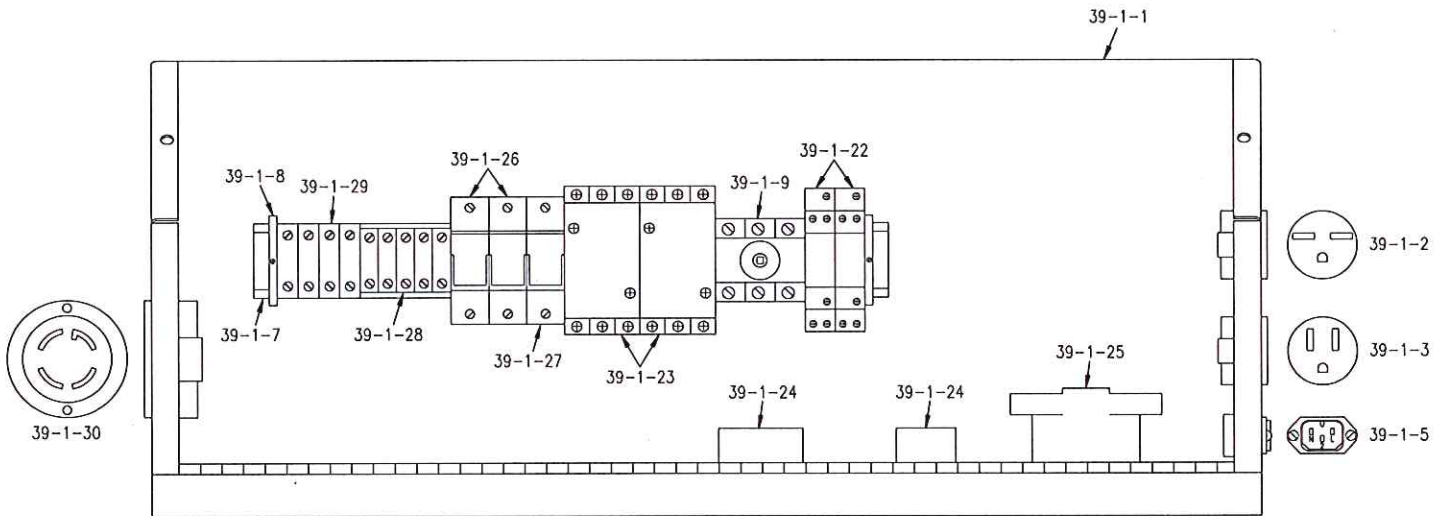
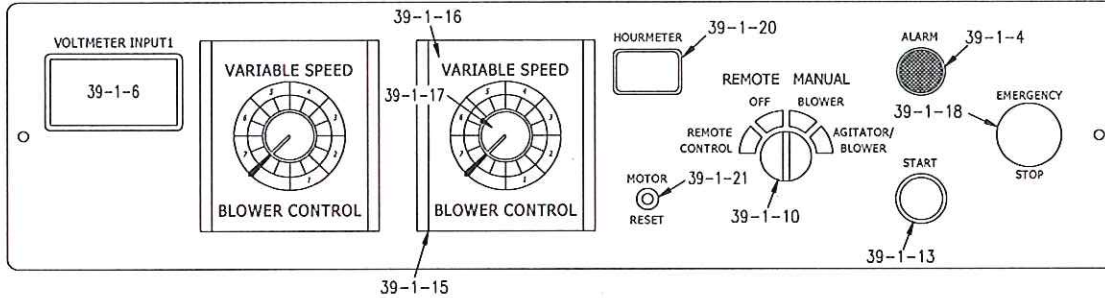
ELECTRICAL PARTS LIST
230 V.A.C. 50 Hz. DI



Electrical Exploded Parts List

Item#	Part#	Description	Item#	Part#	Description
39-2-1	575-130S	Box, Electrical	39-2-16	420-2	Knob, Blower Control (2)
39-2-2	1544	Receptacle, NEMA#5-15R	39-2-17	543-M-87	Switch, Kill, Red
39-2-3	543-M-78	Socket, Schuko, 16A Cover Panel	39-2-18	8075-2	Contact Block 22mm Green (not shown)
39-2-4	543-M-38	Pre-Alarm System	39-2-19	543-M-77	Hour Meter
39-2-5	543-M-2	Receptacle, RC, Plug, #509-1050	39-2-20	433-H	Manual Reset, 8 Amp
39-2-6	543-M-84	Voltmeter, Digital 240V (2)	39-2-21	RELAY-10	Timer / Relay DPDT 12-240VAC 15A (2)
39-2-7	ELU12-A	Dinrail, 1 3/8", 16"L	39-2-22	ELU11-5	GE Contactor / Relay 25 Amp (2)
39-2-8	151080-49	Clamp, f/ 1 3/8" Din Rail (2)	39-2-23	ELU10-12	Relay, E-Mech,Control 230V, DPDY-NO(2)
39-2-9	543-M-33-D	Switch, Disconnect	39-2-24	1530-D	Transformer, 4 Amp
39-2-9-1	54-M-33-OS	Operator Handle Assy	39-2-25	BRKR-8	Breaker, 8 Amp (2)
39-2-10	543-M-22	Switch, 4-Position Selector	39-2-26	BRKR-1	Breaker, 1 Amp
39-2-11	543-M-15	Contact Block, Selector Switch (white) #KA-1 (not shown)	39-2-27	151080-61	Terminal Block, Small (4)
39-2-12	543-M-16	Contact Block, Selector Switch (red) #KA-3 (3) (not shown)	39-2-28	151080-62	Terminal Block, Large (5)
39-2-13	543-M-86	Pushbutton On, Green	39-2-29	543-M-17	Connector, Conduit, 1/2" Straight
39-2-14	419-B	Blower Control (230V, 50Hz.) (2)	39-2-30	391N-A-3	Locknut, Steel, Conduit, 1/2" (not shown)
39-2-15	420-1	Cover, Blower Control (2)	39-2-31	12-3-SJ-M	12-3 SJ w/Brown/Blue/Green/Yellow
			39-2-32	ELU06-9	Plug, European
			39-2-33	ELU06-1	Cover, Transformer (not shown)

**ELECTRICAL PARTS LIST
240 V.A.C. 60 Hz. SI**



Electrical Exploded Parts List

Item#	Part#	Description	Item#	Part#	Description
39-1-1	575-13S-R1	Box, Electrical			
39-1-2	132-B	Receptacle, NEMA #6-15R	39-1-16	420-1	Cover, Blower Control (2)
39-1-3	1544	Receptacle, NEMA #5-15R	39-1-17	420-2	Knob, Blower Control (2)
39-1-4	543-M-38	Pre-Alarm System	39-1-18	543-M-46	Switch, Kill, Red
39-1-5	543-M-2	Receptacle, RC, Plug, #509-1050	39-1-19	8075-2	Contact Block 22mm Green (Kill Switch not shown)
39-1-6	543-M-84	Voltmeter, Digital 240V	39-1-20	543-M-77	Hour Meter
39-1-7	ELU12-A	Dinrail, 1 3/8", 16"L	39-1-21	433-H	Manual Reset, 8 Amp
39-1-8	151080-49	Clamp, f/ 1 3/8" Din Rail (2)	39-1-22	RELAY-10	Timer / Relay DPDT 12-240VAC 15A (2)
39-1-9	543-M-88	Switch, Disconnect Assy 3P	39-1-23	ELU11-5	GE Contactor / Relay 25 Amp (2)
39-1-10	543-M-22	Switch, 4-Position Selector	39-1-24	ELU10-10	Relay, Contactor/Relay, 120V Control (2)
39-1-11	543-M-15	Contact Block, Selector Switch (white) #KA-1 (not shown)	39-1-25	1530-D	Transformer, 4 Amp
39-1-12	543-M-16	Contact Block, Selector Switch (red) #KA-3 (3) (not shown)	39-1-26	BRKR-16	Breaker, 16 Amp (2)
39-1-13	543-M-14	Pushbutton On, Green	39-1-27	BRKR-2	Breaker, 2 Amp
39-1-14	8075-2	Contact Block 22mm Green (Pushbutton not shown)	39-1-28	151080-61	Terminal Block, Small (5)
39-1-15	419-A	Blower Control (120V, 60Hz.) (2)	39-1-29	151080-62	Terminal Block, Large (4)
			39-1-30	543-M-19	30 Amp Flange 240V TL